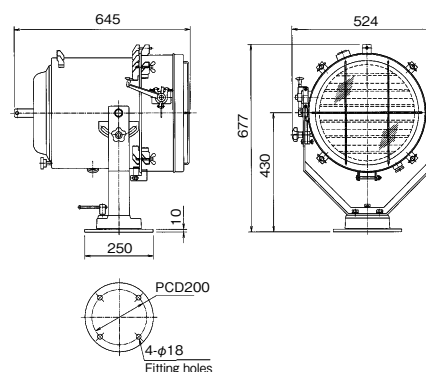


INCANDESCENT SEARCHLIGHT with SHUTTER

- Turning, elevation, focus adjustment & shutter operation by manual control.
- Available electric shutter on request. ■ Available other lamp type (Xenon, Metal halide, Halogen) on request.

BDS-30SU <1kW>

| | |
|-------------------------|------------------------|
| Reflector dia. | φ340mm |
| Lamp model | G110 E39/45 1000W |
| Voltage | AC100V/AC220V |
| Max. luminous intensity | 600,000cd |
| Beam spread | Approx. 6° |
| Elevation angle | Up 30° Down 45° |
| Turning angle | Left & right each 170° |
| Protection degree | IP56 |
| Weight | 51kg |
| Code No. | 1012BDS |



REMOTE CONTROL BOARD - JOYSTICK TYPE -

For Incandescent lamp & Halogen lamp

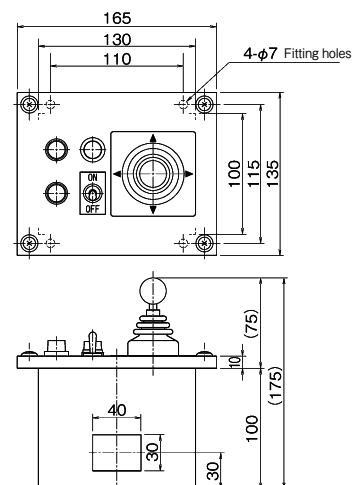
(Need to prepare the lamp power circuit separately.)



CPF28

CPF28

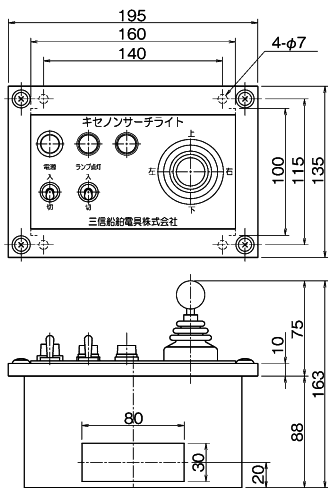
| | |
|----------|---------|
| Code no. | 12CPF28 |
|----------|---------|



For xenon lamp / Metal halide lamp

CPF118

| | |
|----------|----------|
| Code no. | 12CPF118 |
|----------|----------|



For Xenon lamp / Metal halide lamp

(Included auto focus switch)

CPF119

| | |
|----------|----------|
| Code no. | 12CPF119 |
|----------|----------|

