

INCANDESCENT SEARCHLIGHT

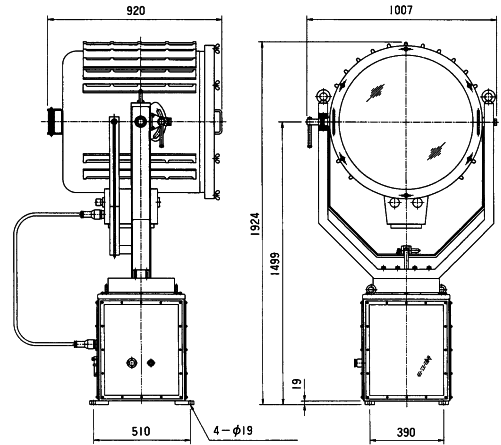
■ Available halogen lamp type on request.

Remote control type

■ This remote controlled searchlight uses a incandescent lamp as the light source, and allows for elevation, turning and focusing to be performed with a remote control panel.

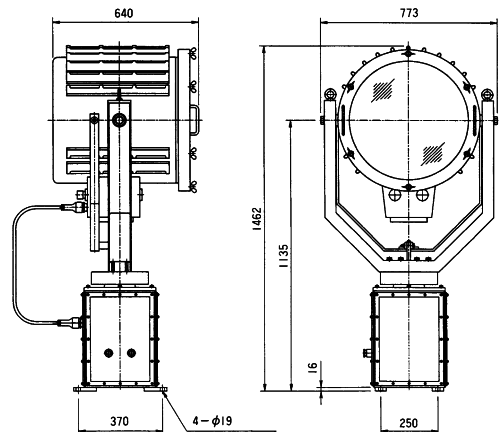
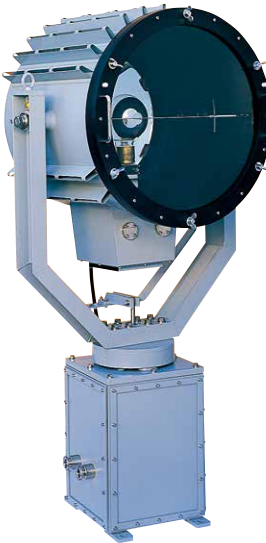
E-60M2 <3kW>

Reflector dia.	φ640mm	
Lamp	G200 G19/54x60 3000W	
Voltage	AC100V/AC220V	
Max. luminous intensity	100V	7,000,000cd
	220V	6,000,000cd
Range of distance	Approx. 2400m (AC220V lamp)	
Beam spread	Approx. 6°	
operation voltage	AC100 1φ 60Hz	
Elevation angle	Up 20° Down 30°	
Turning angle	Right & left each 170°	
Elevation speed	Approx. 6.1°/sec.	
Turning speed	Approx. 10.7°/sec.	
Protection degree	IP45	
Weight	230kg	
Code no.	1025-4	



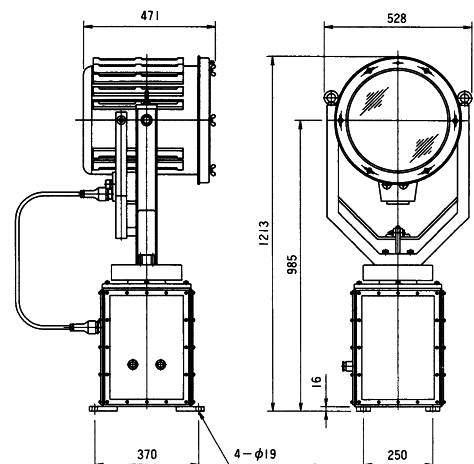
E-40 <2kW>

Reflector dia.	φ430mm	
Lamp	G150 G19/54x60 2000W	
Voltage	AC100V/AC220V	
Max. luminous intensity	100V	3,000,000cd
	220V	2,500,000cd
Range of distance	Approx. 1500m (AC220V lamp)	
Beam spread	Approx. 6°	
operation voltage	AC100 1φ 60Hz	
Elevation angle	Up 34° Down 18°	
Turning angle	Right & left each 170°	
Elevation speed	Approx. 2°/sec.	
Turning speed	Approx. 11°/sec.	
Protection degree	IP45	
Weight	149kg	
Code no.	1023L	



E-30 <1kW>

Reflector dia.	φ340mm	
Lamp	G110 E39/45 1000W	
Voltage	AC100V/AC220V	
Max. luminous intensity	100V	1,400,000cd
	220V	1,000,000cd
Range of distance	Approx. 1000m (AC220V lamp)	
Beam spread	Approx. 6°	
operation voltage	AC100 1φ 60Hz	
Elevation angle	Up 45° Down 20°	
Turning angle	Right & left each 170°	
Elevation speed	Approx. 3°/sec.	
Turning speed	Approx. 11°/sec.	
Protection degree	IP45	
Weight	104kg	
Code no.	1022L	



Dimension and specification are remote control type